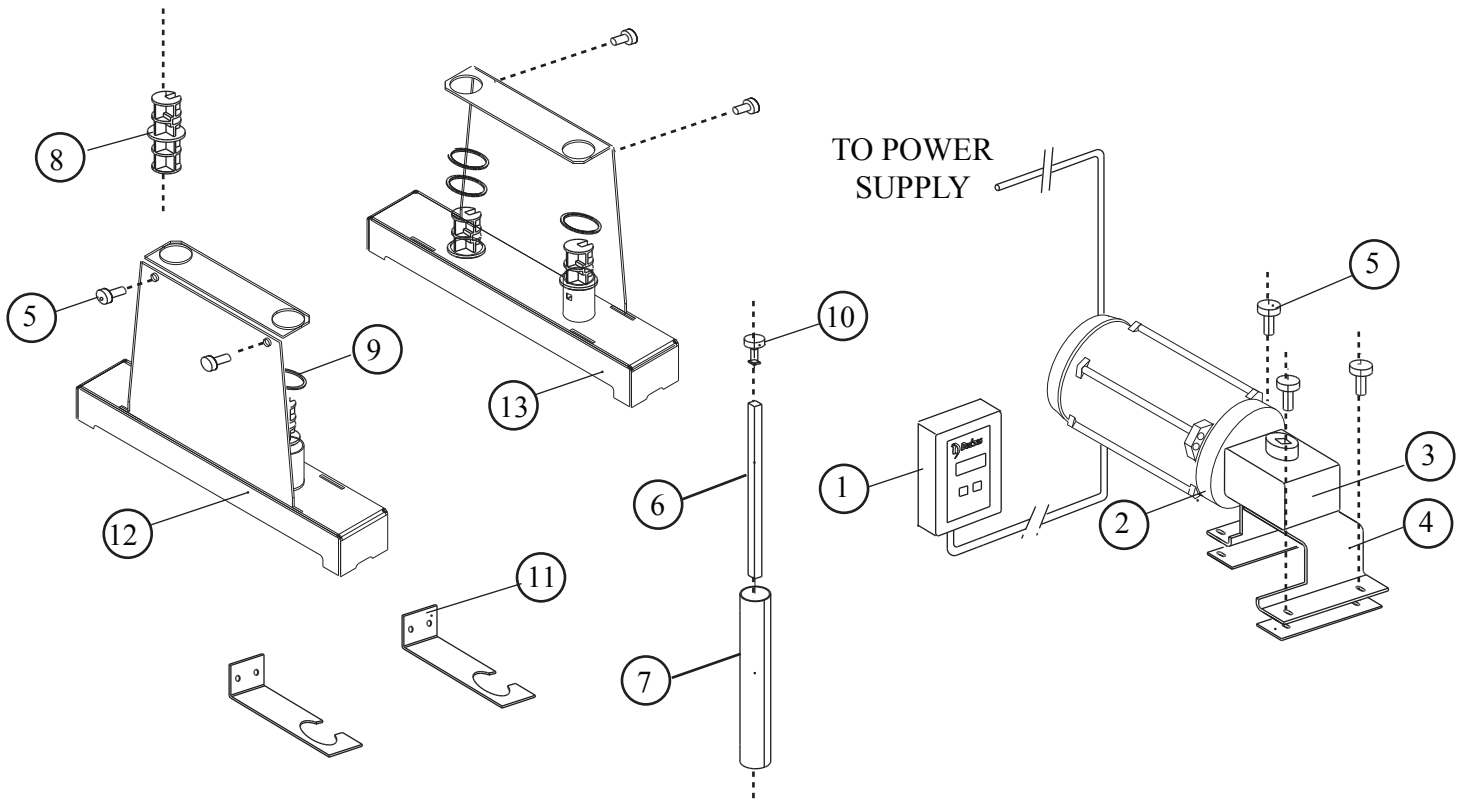


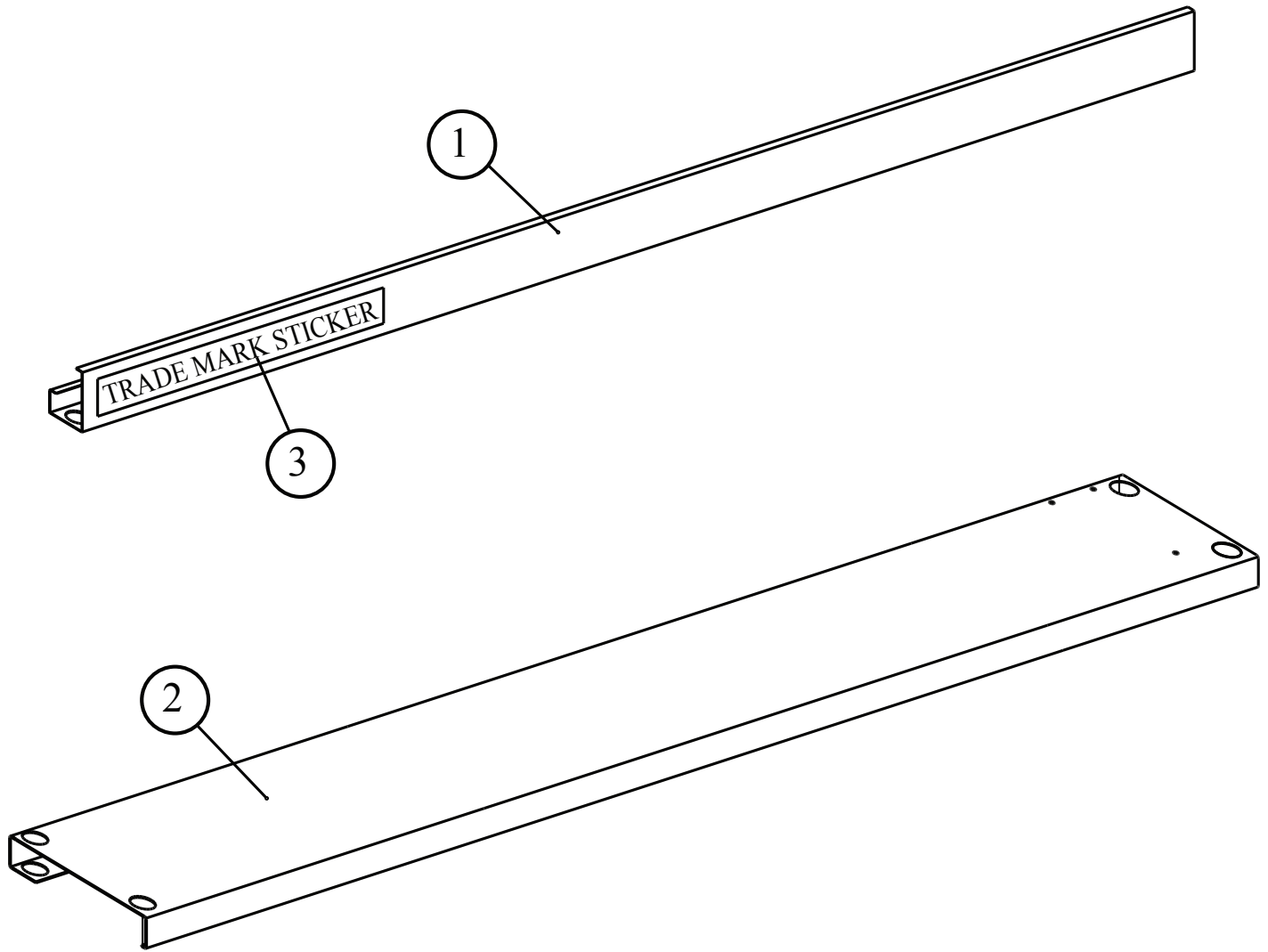


A1 Alliance Motor Box Components & Parts List

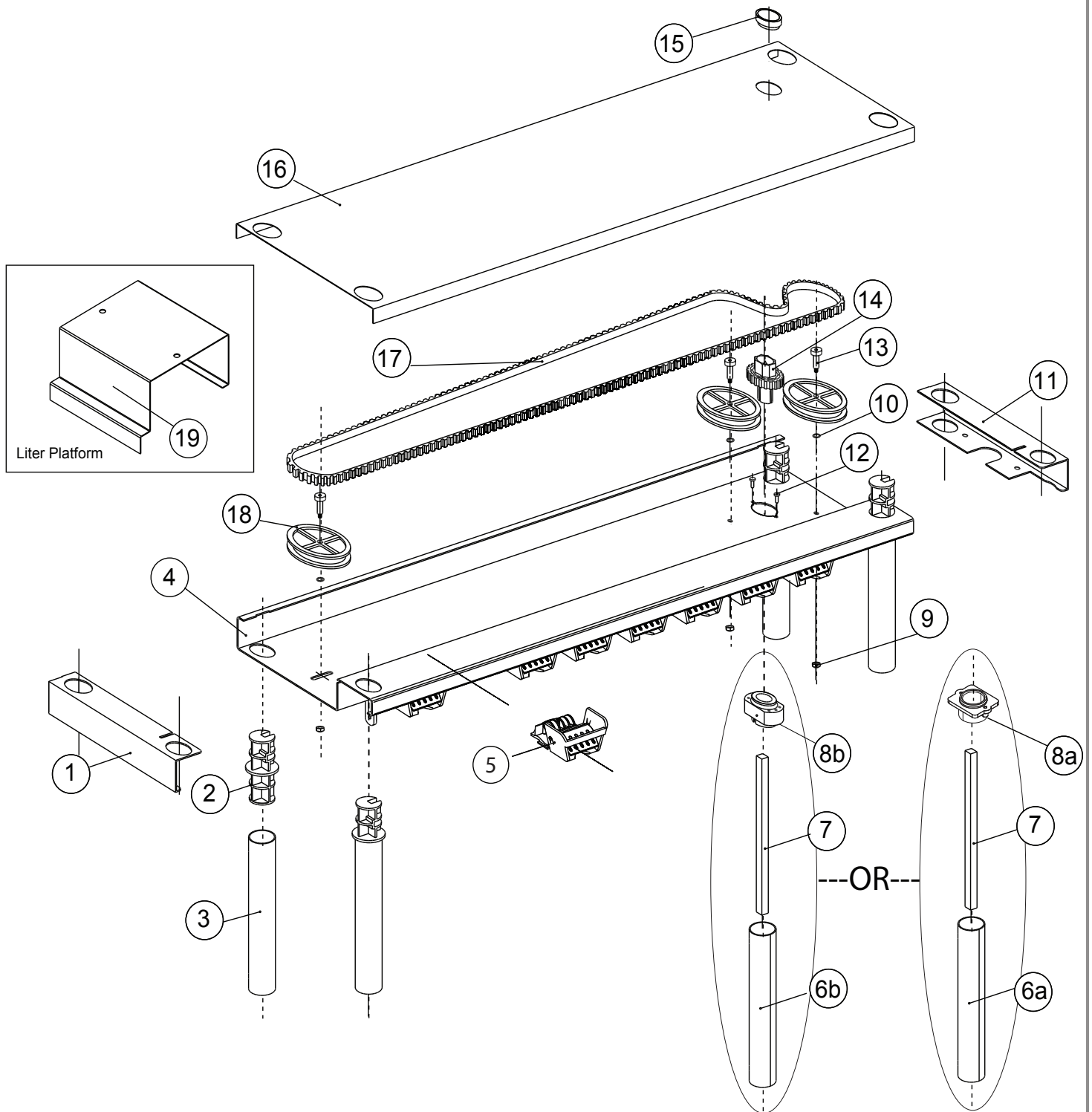


| REF. | DESCRIPTION | PART # | # PARTS/BOX |
|------|--|-----------------------|-------------|
| 1 | TIMER | 5938 | 1 |
| 2 | MOTOR | Please Contact Dedoes | 1 |
| 3 | GEAR BOX | Please Contact Dedoes | 1 |
| 4 | MOTOR MOUNT PORON STRIPS | Please Contact Dedoes | 1 |
| 5 | THUMBSCREW | 5097 | 7 |
| 6 | BASE SHAFT: 1 LITER BASE SHAFT: 4 LITER | P1244 P1243 | 1 |
| 7 | BASE SHAFT GUARD: 1 LITER BASE SHAFT GUARD: 4 LITER | 5283 5284 | 1 |
| 8 | TUBE INSERT | 5279 | 4 |
| 9 | WASHER | 5828 | 6 |
| 10 | EXPANDING BOLT | 5900 | 1 |
| 11 | WALL BRACKET | 2095U | 2 |
| 12 | LEFT FOOT | 5836L | 1 |
| 13 | RIGHT FOOT | 5836R | 1 |

For technical support on our products or additional accessories, Please call us at 248-624-7710 or visit our web site: www.dedoes.com



| REF. | DESCRIPTION | PART # |
|------|--------------------|---------|
| 1 | HEADER: 2.4M | 2072_ |
| | HEADER: 1.7M | 2077_ |
| | HEADER: 1.2M | C00457W |
| 2 | BOTTOM SHELF: 2.4M | 2071 |
| | BOTTOM SHELF: 1.7M | 2076 |
| | BOTTOM SHELF: 1.2M | C00458X |
| 3 | CUSTOMER STICKER | |



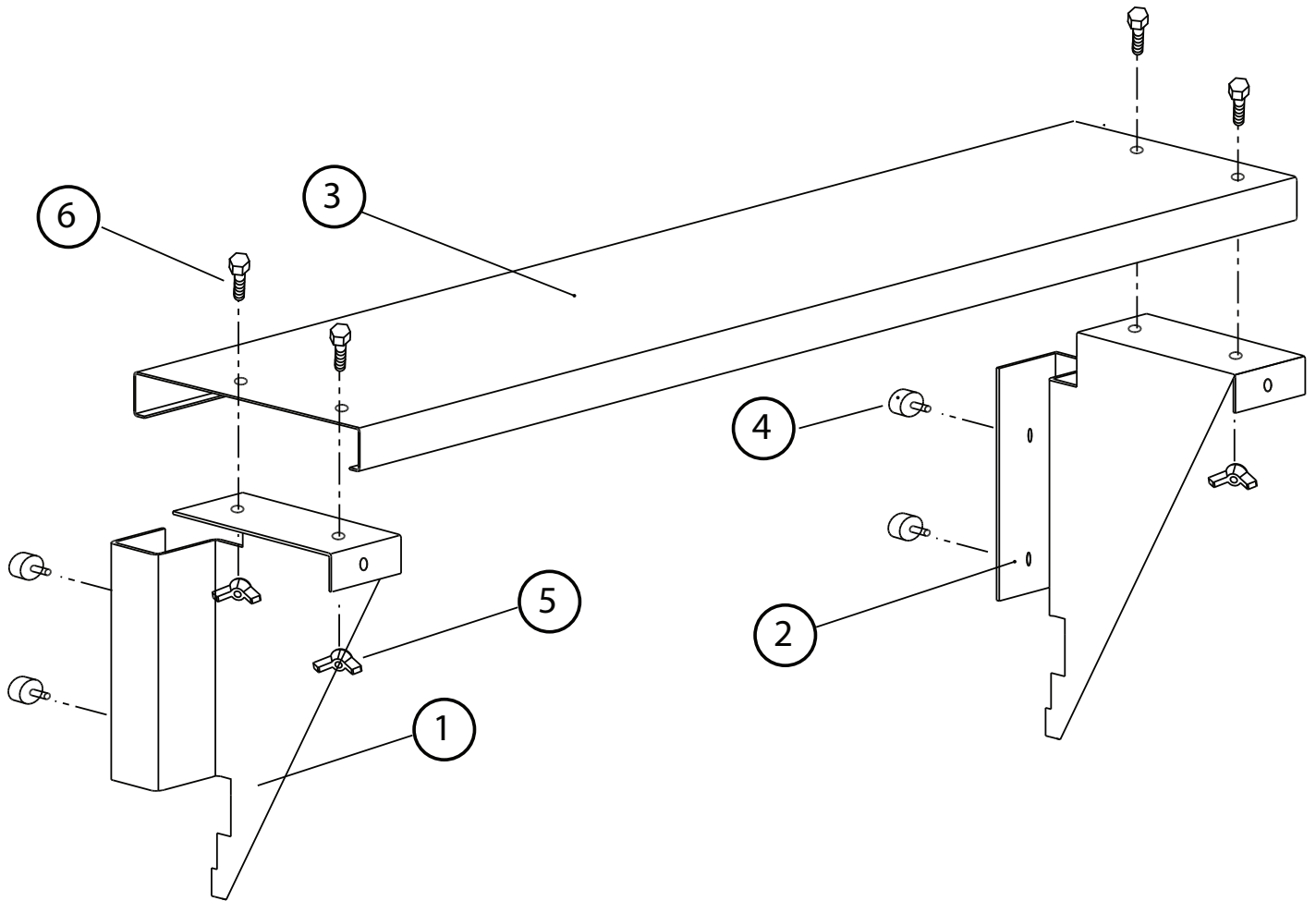
For technical support on our products or additional accessories, Please call us at 248-624-7710 or visit our web site: www.dedoes.com



Alliance Shelf Parts List (Green Interface Style)

| REF. | DESCRIPTION | PART # | QTY. |
|------|---------------------------------------|---------|-----------|
| 1 | LEFT END CAP | 2096L | 1 |
| 2 | TUBE INSERT | 5279 | 4 |
| 3 | TUBES: 1 LITER (specify color) | 5993 | 4 |
| | TUBES: 2.5 LITER (specify color) | P0254 | |
| | TUBES: 4 LITER (specify color) | 5994 | |
| 4 | POWERHEAD ASSEMBLY: 2.4M 1 LITER | 3055 | 1 |
| | POWERHEAD ASSEMBLY: 2.4M 4 LITER | 3056 | |
| | POWERHEAD ASSEMBLY: 1.7M 1 LITER | 3057 | |
| | POWERHEAD ASSEMBLY: 1.7M 4 LITER | 3058 | |
| | POWERHEAD ASSEMBLY: 1.2M 1 LITER | 3062 | |
| | POWERHEAD ASSEMBLY: 1.2M 4 LITER | 3063 | |
| 5 | INTERFACE ASSEMBLY (dependent on qty) | 5752B | 8, 12, 18 |
| 6 | a. SHAFT GUARD: 1 LITER | 5281 | 1 |
| | a. SHAFT GUARD: 2.5 LITER | 5288 | |
| | a. SHAFT GUARD: 4 LITER | 5282 | |
| | b. SHAFT GUARD: 1 LITER | 5281D | |
| | b. SHAFT GUARD: 2.5 LITER | 5288D | |
| | b. SHAFT GUARD: 4 LITER | 5282D | |
| 7 | SQUARE SHAFT: 1 LITER | 5995PLT | 1 |
| | SQUARE SHAFT: 2.5 LITER | P0255 | |
| | SQUARE SHAFT: 4 LITER | 5996PLT | |
| 8 | a. BUSHING (BLACK) | 5278 | 1 |
| | b. BUSHING (GRAY) | 5278D | |
| 9 | LOCKNUT | P0025 | 3 |
| 10 | WASHER | 5804S | 3 |
| 11 | RIGHT END CAP | 2096R | 1 |
| 12 | BUSHING SCREW | 5335 | 2 |
| 13 | 10MM SHOULDER BOLT | 5364 | 3 |
| 14 | 52 MM DRIVE GEAR | 5931 | 1 |
| 15 | SHAFT GUARD LOCATER | 5280 | 1 |
| 16 | SHELF: 2.4M 1 LITER | C00088X | 1 |
| | SHELF: 2.4M 4 LITER | 2070 | |
| | SHELF: 1.7M 1 LITER | C00087X | |
| | SHELF: 1.7M 4 LITER | 2074 | |
| | SHELF: 1.2M 1 LITER | C00455X | |
| | SHELF: 1.2M 4 LITER | C00456X | |
| 17 | BELT: 2.4M | 5787S | 1 |
| | BELT: 1.7M | 5753S | |
| | BELT: 1.2M | P0753 | |
| 18 | 75 MM IDLER | 5930 | 3 |
| 19 | PLATFORM: 1 LITER | R41 | OPTIONAL |

For technical support on our products or additional accessories, Please call us at 248-624-7710 or visit our web site: www.dedoes.com



| REF. | DESCRIPTION | PART # |
|------|-------------------------|--------|
| 1 | LEFT WORKSHELF BRACKET | 2098L |
| 2 | RIGHT WORKSHELF BRACKET | 2098R |
| 3 | WORKSHELF: 2.4M | 2079 |
| | WORKSHELF: 1.7M | 2078 |
| 4 | THUMBSCREW | 5097 |
| 5 | WORKSHELF WING NUT | 5378 |
| 6 | WORKSHELF BOLT | 5340 |

For technical support on our products or additional accessories, Please call us at 248-624-7710 or visit our web site: www.dedoes.com