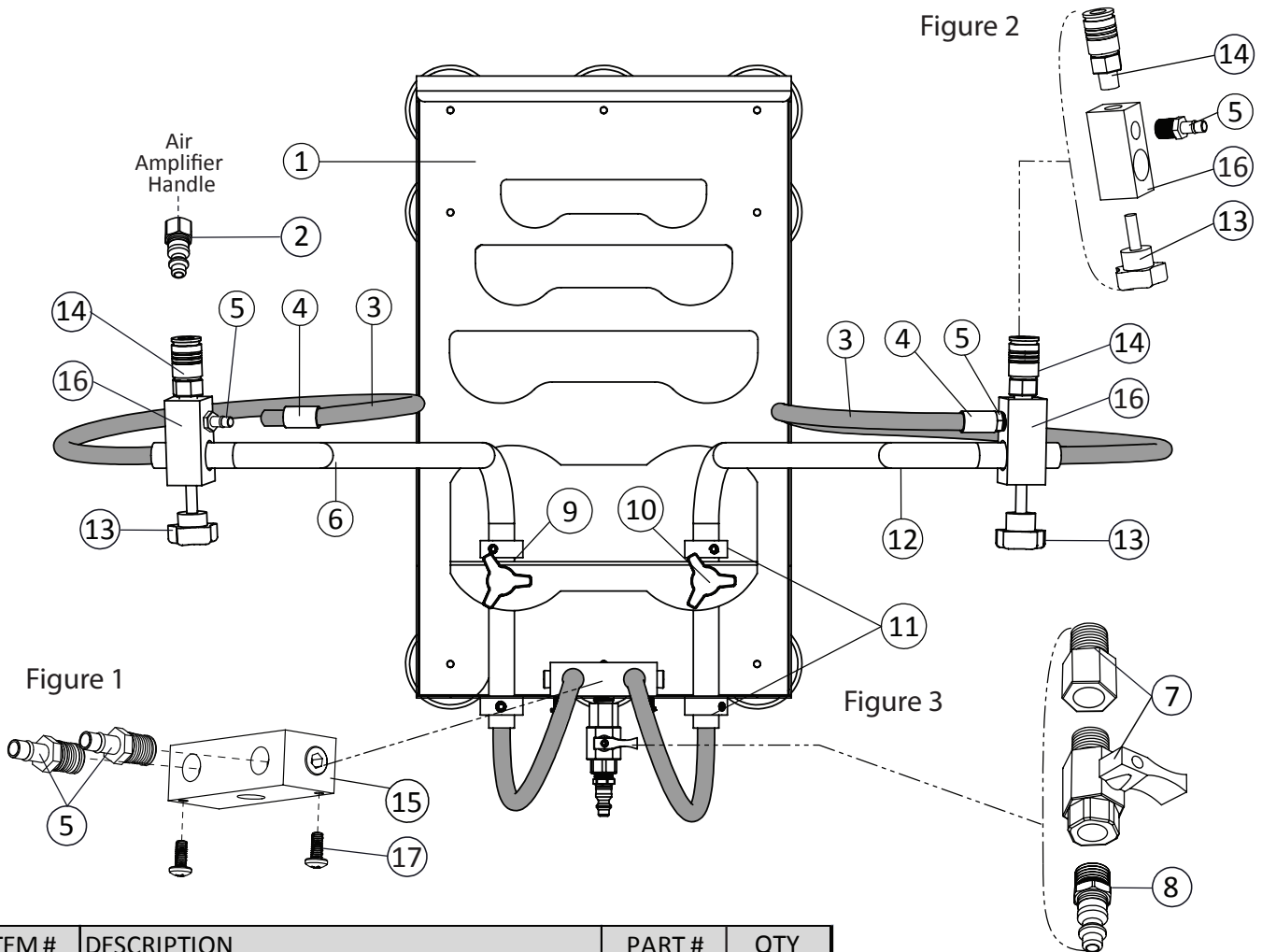




Air Amplifier Magnetic Wall Mount

KARAJEN CORP.



ITEM #	DESCRIPTION	PART #	QTY
1	Complete Magnetic Frame with Arms	SA0273	1
2	Quick Coupler for Air Amplifier	P1353	1
3	Polyurethane Tubing - 42" Long	P1332B	2
4	Plastic Locking Sleeve - 1" Long	P1333A	4
5	Barbed Hose Fitting	P1331	4
6	Left Side Tube Arm	P1358	1
7	Optional Master Shut Off Valve	SA0275	1
8	Hi-Flo Quick Coupler	P1354	1
9	Aluminum Bushing (Not Shown)	P1304	2
10	Three Wing Thumb Screw	P1346	2
11	Locking Collar with Set Screw	P1347	4
12	Right Side Tube Arm	P1348	1
13	Thumb Screw	P1351	2
14	Hi-Flo Quick Coupler	P1352	2
15	Air Manifold (Includes two P1356 Screws)	SA0200	1
16	Air Gun Mounting Block	P1350	2
17	Screw 5mm x 12mm Phillips Head	P1356	2

Tools Needed

- 4mm Allen Wrench
- Phillips Screw Driver
- 9/16 Wrench,
- 5/8 Wrench,
- 13/16 Wrench,
- or Adj. Wrench

For technical support on our products or additional accessories, please call us at 248-624-7710 or visit our web site: www.dedoes.com

Step 1: Figure 1

Locate the air manifold (15) and remove the two Phillips head screws (17).

Locate two barbed hose fittings (5) and install into air manifold.

Use thread sealant approved by paint manufacturer where necessary.

Step 2: Figure 2

Assemble the two sets of the air gun mounting block (16), a barbed hose fitting (5), a universal hose quick coupler (14), and an thumb screw (13).

Use thread sealant approved by the paint manufacturer where necessary.

Step 3: Figure 3

Fasten the Air Manifold (15) to the Magnetic frame with two Phillips head screws (17).

Slide a collar with set screw (11) over the plastic hose and onto the metal tubing (6 & 12).

Tighten set screw in collar leaving about 5" of metal tubing beyond the collar.

Feed the plastic hose and the metal tube down through the aluminum bushing (9) and through lower hole in magnetic frame until locking collar rests on aluminum bushing.

Slide another collar (11) over plastic hose and end of metal tubing.

Tighten set screw with collar against lower flange of magnetic frame.

Repeat process for the other metal tube.

Install two thumb screws (10) into threaded insert in frame.

Slide a plastic locking sleeve (4) over plastic hose exiting from bottom of metal tube.

Push the plastic hose over the barbed hose fitting and then push the plastic locking sleeve over the fitting and then push the plastic locking sleeve over the other side.

Locate the hose coupler (8) and optional shut off valve (7) if supplied and install into air manifold.

Step 4:

Slide the plastic hose through the large hole of the air gun mounting block (7).

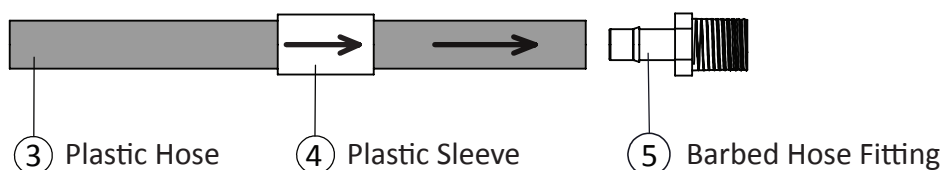
Slide the air gun mounting block onto the metal tube about two inches.

Slide a plastic locking sleeve onto each plastic hose.

Push the plastic hose onto the barbed hose fitting and secure with the plastic sleeve pushed up to the barbed hose fitting.

Repeat process for other hose.

Adjust the position of the amps and the arms and secure in place with the thumb screws.



Tip: Use water to lubricate the outside of the plastic hose to easily install the locking sleeve.