



Cabinet Fan Assembly Instructions

Part# 830004

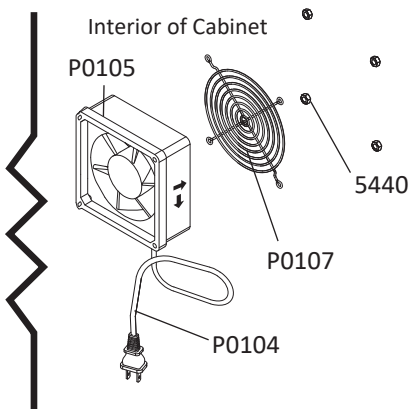
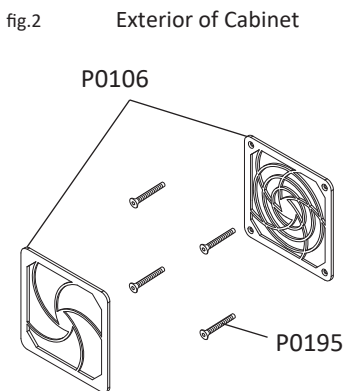
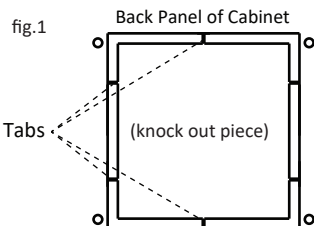
Tools Required: 11/32" Wrench and 3/32" Allen Wrench.

Caution: Safety Steel Gloves must be worn, as the galvanized edges can be sharp.

Do not plug into an outlet until the fan kit is fully assembled to the cabinet.

1. Cut all six tabs and remove the knockout piece from the back panel (fig.1).
2. Remove the filter housing and the filter.
3. To assemble the fan, fasten the fan guard, fan and chrome finger guard with the four screws and four nuts as shown in (fig.2).
4. Snap filter housing and filter into the fan guard.
5. Plug the cord into the fan.

Description	PN#	Qty
Filter with Housing	P0106	1
Fan / Motor	P0105	1
Chrome Finger Guard	P0107	1
48" Power Cord	P0104	1
8-32 x 2.25" Screw	P0195	4
8-32 Kep Nut	5440	4



Hardware inspected by: _____

Date of Inspection: _____

For technical support on our products or additional accessories, please call us at 248-624-7710 or visit our web site: www.dedoes.com

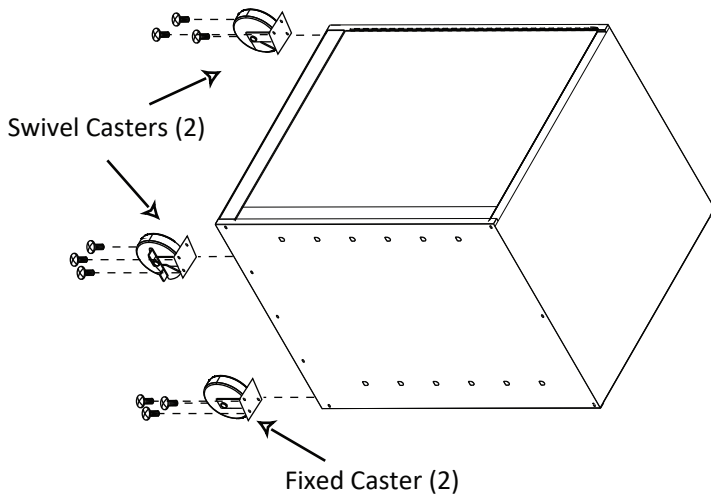


Computer Cabinet Caster Assembly Instructions

Part# 830005

NOTES:

1. Tools Required: 10mm Wrench & 10mm Socket Wrench.
2. Safety Steel Gloves must be worn, as the galvanized edges can be sharp.



Ref.	Description	Part#	Qty per
1	6mm x 16mm Bolt	5305	12
2	Swivel Caster	P0101	2
3	Fixed Caster	P0102	2

1. Lay the cabinet on its back for ease of assembly.

NOTE: The (2) swivel break casters must be attached in the front of the cabinet.

2. Install casters by inserting the bolts from the underside of the cabinet as shown above.

NOTE: If the swivel break casters do not “swivel” after assembly, please check the bolts, as they may have been installed incorrectly.