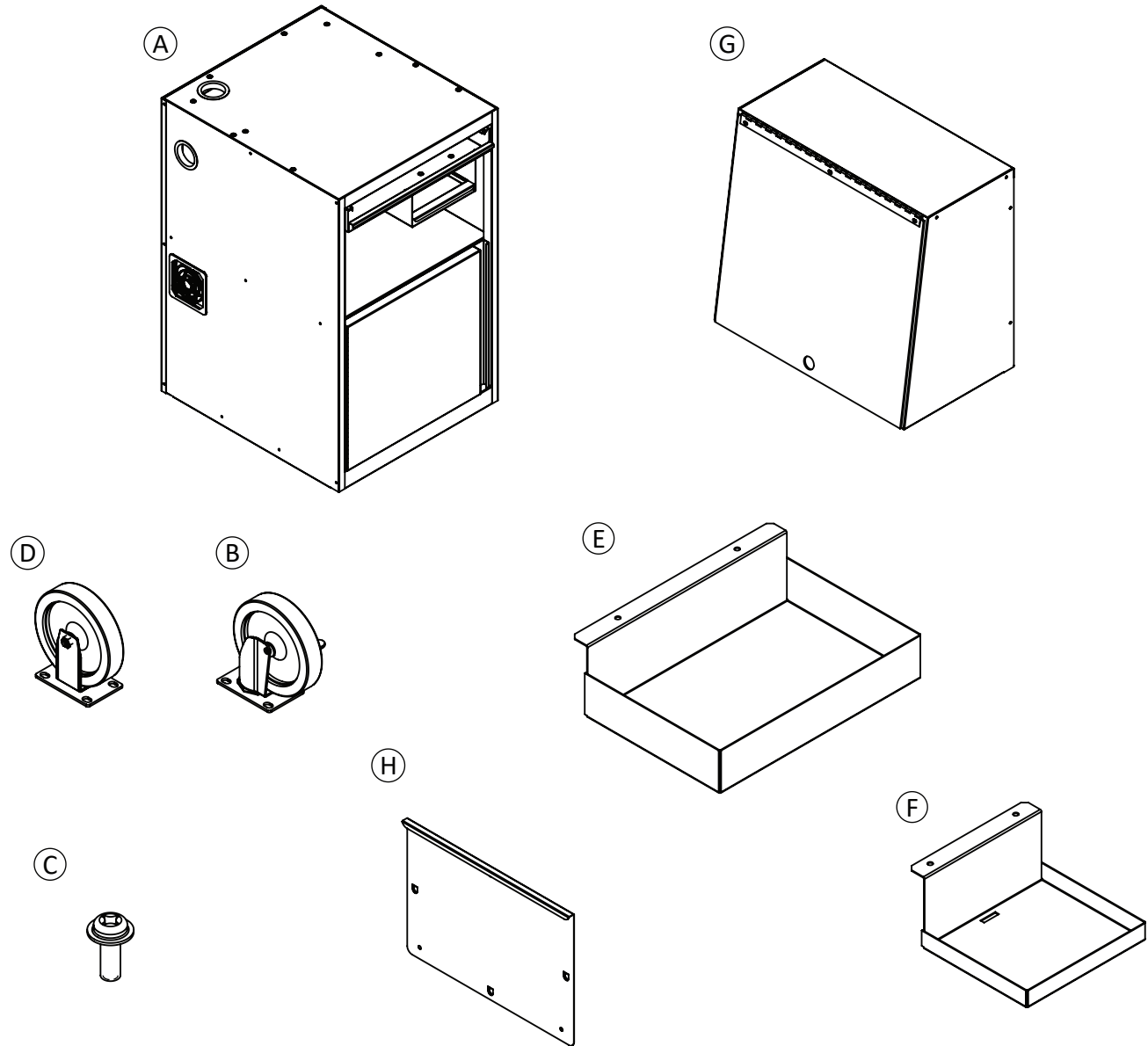




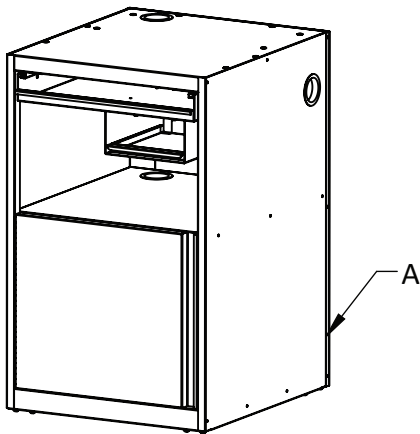
Custom CPU Cabinet Parts List

Part No: 800135A

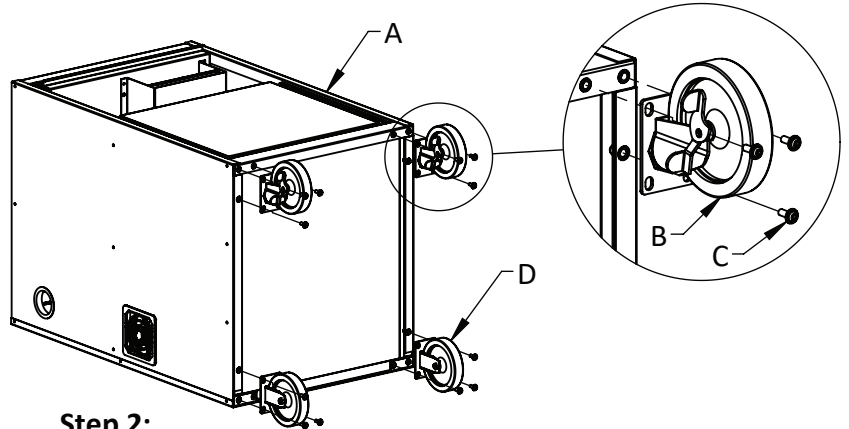


ITEM	DESCRIPTION	QTY.
A	Custom CPU Cabinet	1
B	5" Swivel Castor	2
C	M6 Phillips Head Bolts	22
D	5" Fixed Castor	2
E	Printer Tray	1
F	Dymo Tray	1
G	LCD Display	1
H	Access Panel	1

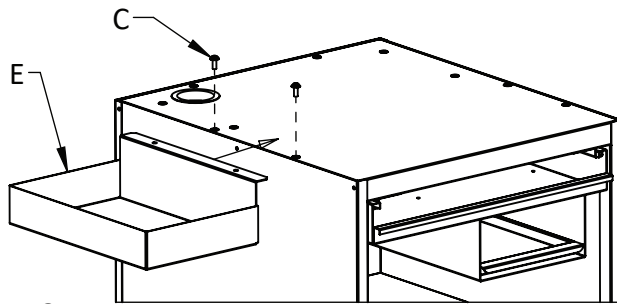
For technical support on our products or additional accessories, please call us at 248-624-7710 or visit our web site: www.dedoes.com



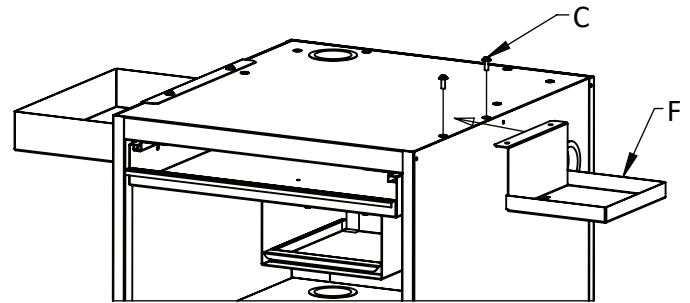
Step 1:
Remove Cabinet (A) from box then remove LCD Display, Access Panel, Printer Tray, Dymo Tray and Castor box from inside cabinet and set aside



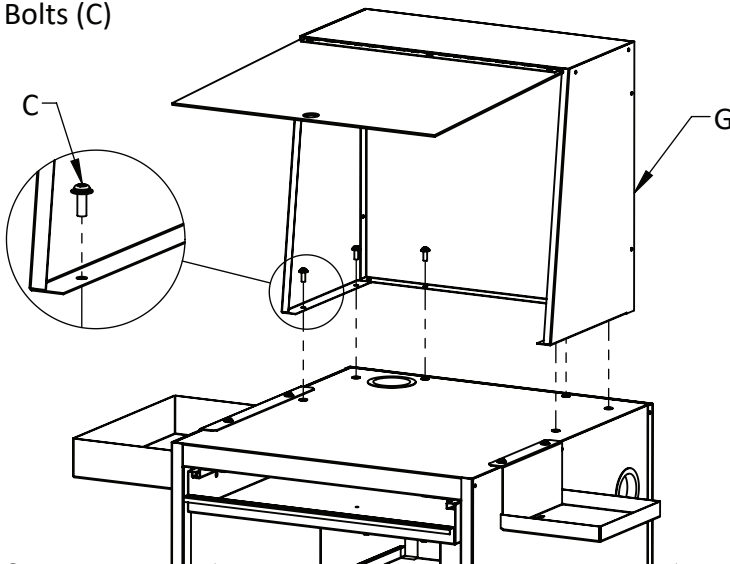
Step 2:
Place Cabinet (A) on its' back and install two 5" Swivel Castors (B) in the front of the base using six M6 Phillips Head Bolts (C) then install two 5" Fixed Castors (D) in the back of the base using six M6 Philips Head Bolts (C), as shown.



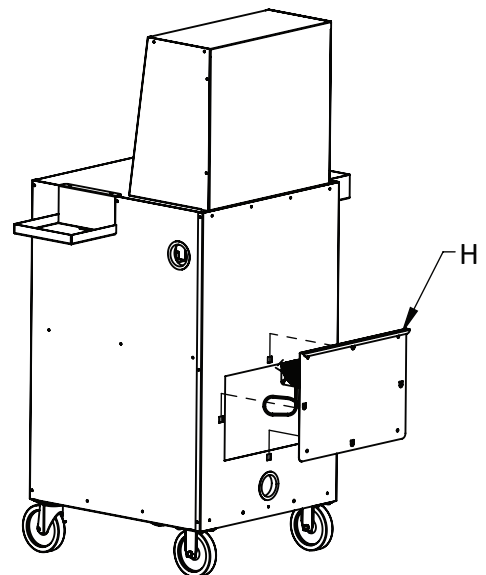
Step 3:
After flipping cabinet upright, place the Printer Tray (E) on the left side of the cabinet, aligning the holes as shown; then fasten using two M6 Philips Head Bolts (C)



Step 4:
Place the Dymo Tray (F) on the right side of the cabinet, aligning the holes as shown; then fasten using two M6 Philips Head Bolts (C)



Step 5:
Place the LCD Display (G) atop the cabinet, aligning the holes provided, then fasten with six M6 Phillips Head Bolts (C)



Step 6:
Insert Access Panel (H) into slots provided in the rear of the cabinet