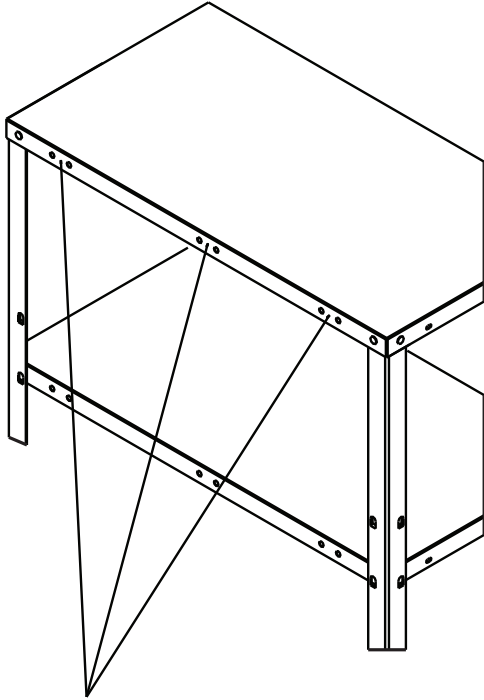


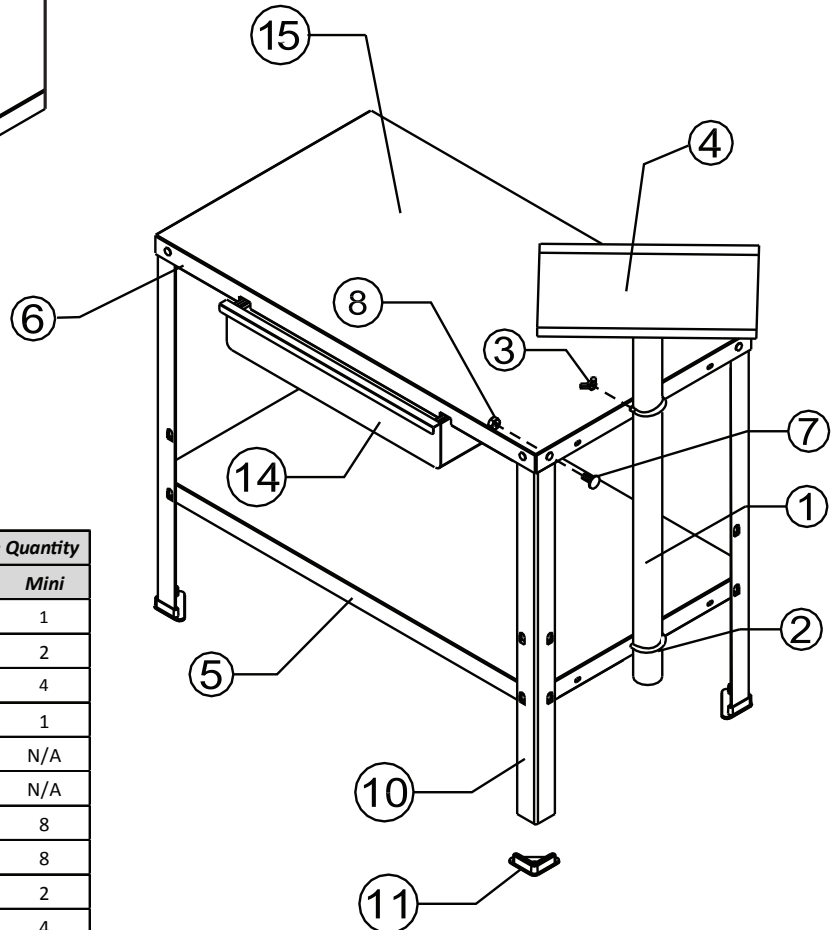
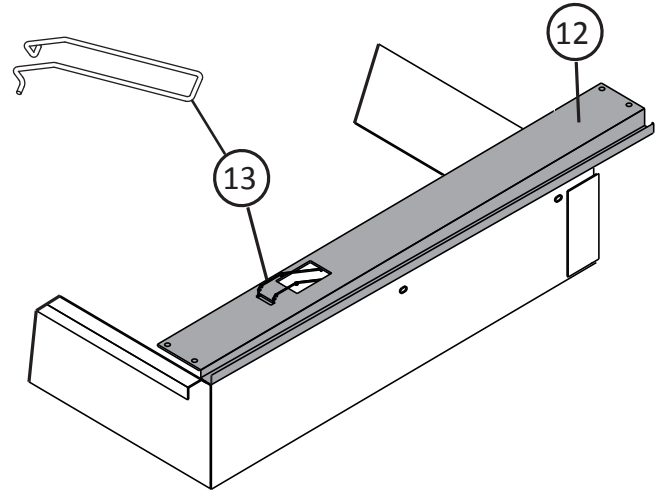


# Blending Table Parts List

*Note: Not all tables are supplied with the drawer, stainless steel cover, column, or viewer shelf. These are optional components.*



The edge with multiple holes is designed to be the back of the table. The drawer should be installed from the other side.



Ref.	Description	Part#	Available Quantity	
			Large	Mini
1	Viewer Column	7152	1	1
2	U-Bolt	P0019	2	2
3	Wing Nut	P0020	4	4
4	Viewer Shelf	7996X	1	1
5	Large Bottom Shelf	7995U	1	N/A
6	Large Top Shelf	F600085	1	N/A
7	6mm x 15mm Carriage Bolt	P0372	8	8
8	6mm Kee Nut	P0393	8	8
9	Top/Btm Mini Shelf (Not Shown)	7992U	N/A	2
10	Leg	7994X	4	4
11	Foot	5232M1	4	4
12	Drawer Hanger	C00084X	2	N/A
13	Drawer Stop	P0018	2	N/A
14	Drawer	833000	1	N/A
15	Stainless Top (Large Table)	7990U	1	N/A
16	Stainless Top (Mini Table)	7991U	N/A	1

For technical support on our products or additional accessories, please call us at 248-624-7710 or visit our web site: [www.dedoes.com](http://www.dedoes.com)