



Wall Cabinet and Shelf Installation Instructions

To Install the Wall Cabinet:

- The anchor screws necessary to mount this cabinet are not included. Select an anchor screw with a head that fits through the keyhole without pulling through the top of the keyhole. Choose anchors and a mounting location that are appropriate for the weight of the cabinet and its intended contents. This cabinet is made with three sets of mounting holes (16", 24" and 32").

Dedoes recommends using the widest mounting hole pattern possible to maximize rigidity.

- Place anchor screws at 32", 24", or 16" centers. Leave 1/8" gap between the wall and the screw head.

- Slide the cabinet down onto the anchor screws until the screws seat into the top of the keyholes, then tighten the screws.

Ref.	Description	Part#	Qty per
1	Galvanized Shelf	F600529	2
2	Spray Gun Holder	SA0145	Optional

NOTE: The wall cabinet must be level horizontally and vertically. This will ensure that the cabinet doors will open and close properly.

Installing the Wall Cabinet Shelves (Ref.1):

- Align the bottom edge of the shelf with the "slots" on the inside of the cabinet and press down firmly to secure the shelf into the cabinet.

- To purchase additional shelves please contact Dedoes.

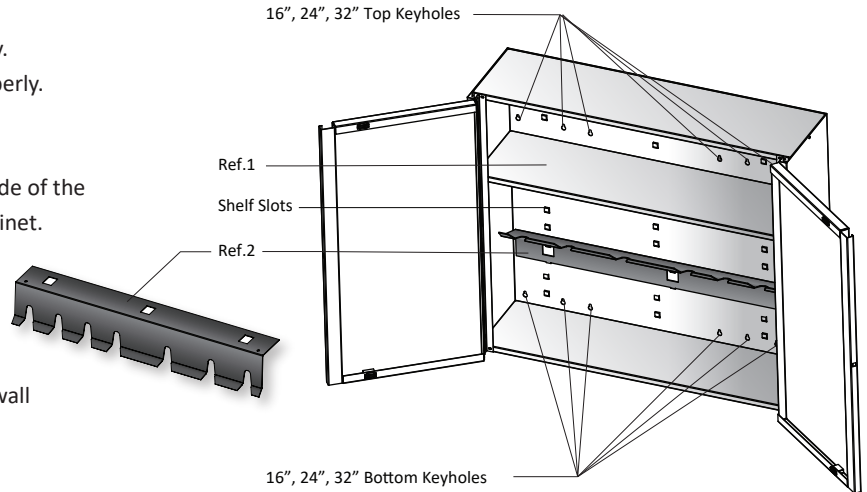
- Dedoes PN# F600529

Optional Spray Gun Holder (Ref.2):

- Installs inside of the wall cabinet as shown or directly onto a wall

- Supports up to seven spray guns

- Dedoes PN# SA0145



For technical support on our products or additional accessories, please call us at 248-624-7710 or visit our web site: www.dedoes.com

PART# P0809 KD RV.6 2017-01-24



Wall Cabinet and Shelf Installation Instructions

To Install the Wall Cabinet:

- The anchor screws necessary to mount this cabinet are not included. Select an anchor screw with a head that fits through the keyhole without pulling through the top of the keyhole. Choose anchors and a mounting location that are appropriate for the weight of the cabinet and its intended contents. This cabinet is made with three sets of mounting holes (16", 24" and 32").

Dedoes recommends using the widest mounting hole pattern possible to maximize rigidity.

- Place anchor screws at 32", 24", or 16" centers. Leave 1/8" gap between the wall and the screw head.

- Slide the cabinet down onto the anchor screws until the screws seat into the top of the keyholes, then tighten the screws.

Ref.	Description	Part#	Qty per
1	Galvanized Shelf	F600529	2
2	Spray Gun Holder	SA0145	Optional

NOTE: The wall cabinet must be level horizontally and vertically. This will ensure that the cabinet doors will open and close properly.

Installing the Wall Cabinet Shelves (Ref.1):

- Align the bottom edge of the shelf with the "slots" on the inside of the cabinet and press down firmly to secure the shelf into the cabinet.

- To purchase additional shelves please contact Dedoes.

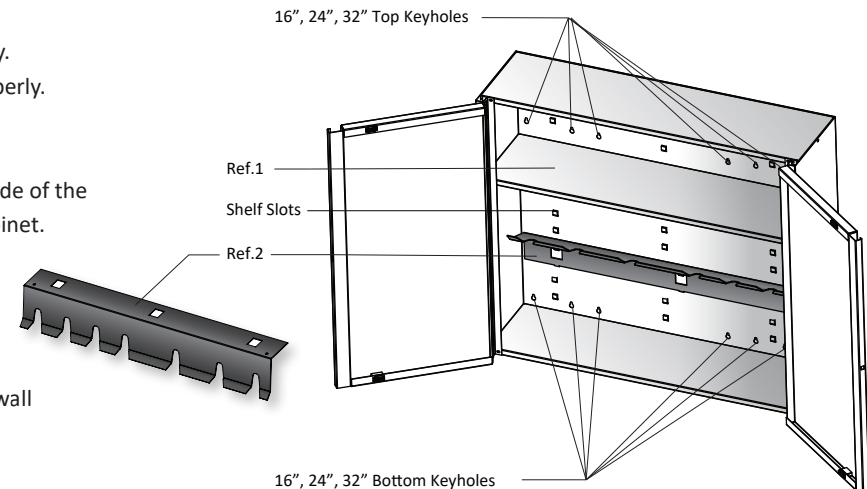
- Dedoes PN# F600529

Optional Spray Gun Holder (Ref.2):

- Installs inside of the wall cabinet as shown or directly onto a wall

- Supports up to seven spray guns

- Dedoes PN# SA0145



For technical support on our products or additional accessories, please call us at 248-624-7710 or visit our web site: www.dedoes.com

PART# P0809 KD RV.6 2017-01-24