



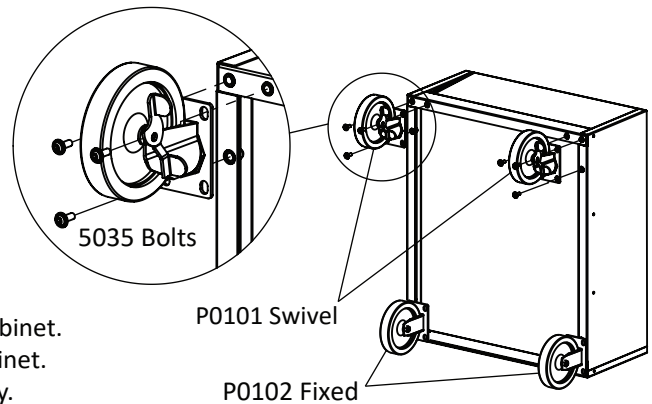
CPU Computer Cabinet Instructions

Cabinet Caster Kit, Dedoes P# 830005

Tools Required: 10mm Wrench & 10mm Socket Wrench.

Caution: Gloves must be worn, as the edges can be sharp.

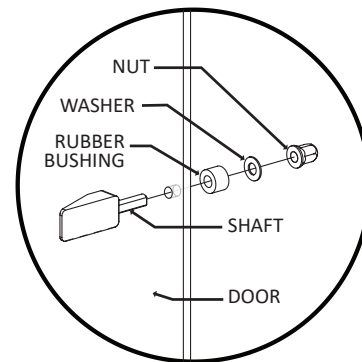
- Lay the cabinet on its back for easier assembly.
- Insert the bolts from the underside of the cabinet.
- The two swivel casters must be attached in the front of the cabinet.
- The two fixed casters must be attached to the back of the cabinet.
- If the casters do not “swivel”, the bolts are installed incorrectly.



Door Latch, Dedoes P# P0100

(Not all CPU Cabinets are supplied with a Plexiglas Door)

- Insert the shaft (unlatched) through the open Plexiglas door.
- Slide bushing and washer over the shaft end.
- Secure the assembly with the acorn nut.
- Adjust the nut to an appropriate latching tension.



Fan Kit, Dedoes P# 830004

(Not all CPU Cabinets are supplied with a fan)

Tools Required: 11/32” Wrench and 3/32” Allen Wrench.

Caution: Gloves must be worn as the edges can be sharp.
Do not connect to power until the fan is installed.

- Cut all six tabs to remove the knockout piece from the back. (Figure 1)
- Remove the filter housing and the filter P# P0106 from the Fan (P0105).
- Fasten the fan guard (P0106), fan (P0105) and chrome guard (P0107) with four screws (P0195) and four nuts (5440) as shown in (Figure 2).
- Snap filter housing and filter into the fan guard (P0106).
- Plug the cord (P0104) into the fan (P0105).
- Connect to power.

FIGURE 1

Back of Cabinet

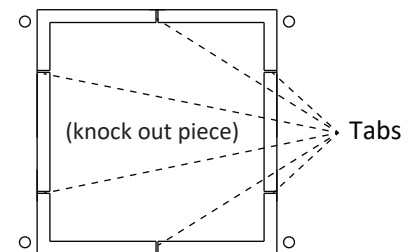


FIGURE 2

