



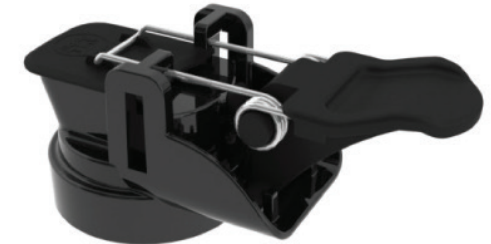
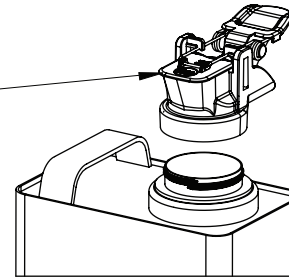
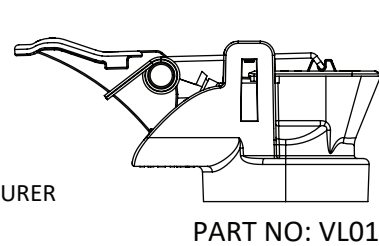
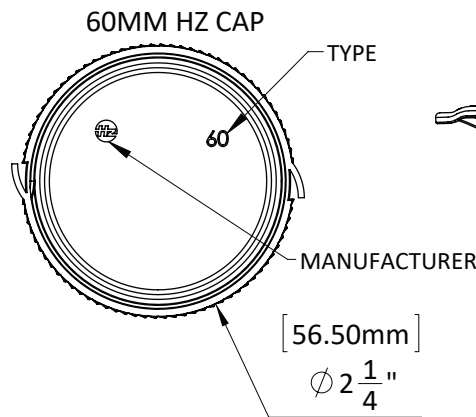
Variable Flow Spout Product Reference

Product Part Number	Description	Component Part Numbers	Box Quantity
Main Lid - Priced individually and sold in quantities of six.			
VL01	VFS Main Lid 57MM		6
Main Lid and Adapter Assembly - Priced Individually and sold in quantities of six			
VL01-A002	VFS Main Lid with 32MM Bericap Adapter Assembly	VL01 and VA002	6
Packaging Dimensions: 25 cm L x 23 cm W x 8 cm H (9.5" L x 9" W x 3" H) Weight: 0.70 kgs (1.5 lbs)			
Various Adapters - Priced individually and sold in quantities of sixteen			
VA001	VFS Adapter 32MM Rieke		16
VA002	VFS Adapter 32MM Bericap		16
VA004	VFS Adapter 42MM Rieke Pull-Up		16
Packaging Dimensions: 25 cm L x 23 cm W x 8 cm H (9.5" L x 9" W x 3" H) Weight: 0.45 kgs (1 lbs)			

For technical support on our products or additional accessories, please call us at 248-624-7710 or visit our web site: www.dedoes.com



Variable Flow Spout Product Reference



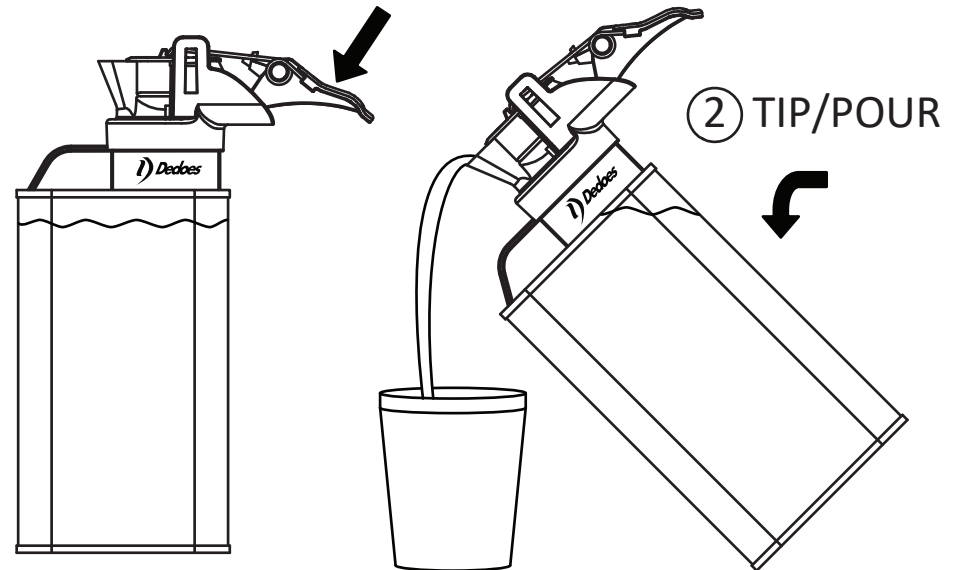
VL01
57mm Main Lid

When using an adapter with the VFS Main Lid be sure to securely tighten the adapter and Main lid together before attaching to the container.

*****IMPORTANT!*****

① OPEN BEFORE DISPENSING



To prevent spills you must press the thumb lever and open the spout **BEFORE** you tip and begin to pour the contents of the container. Failure to do so may result in the contents splashing out of the container if opened after the container has been tipped.





Variable Flow Spout 32mm Adapter Reference

To determine which 32mm adapters you will need:

- Remove the cap from the F Style or Cone Top can you wish to use the VFS lid on.
- On the bottom interior of the cap you will see the type, size, and manufacturer.
- The  emblem refers to Rieke style caps, and the  refers to Bericap style caps.



VA001
32mm Rieke

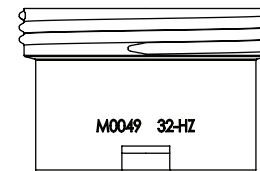
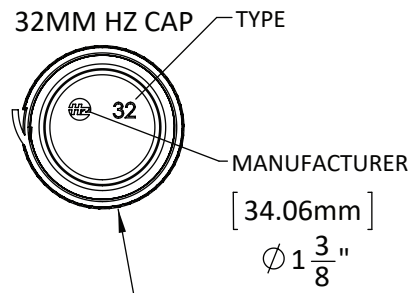


VA002
32mm Bericap

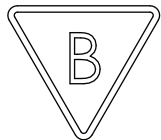
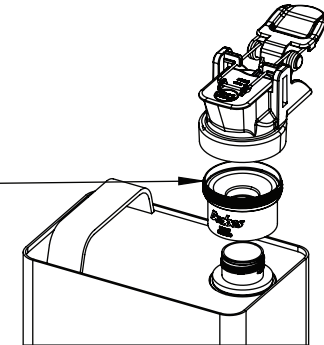
Examples:



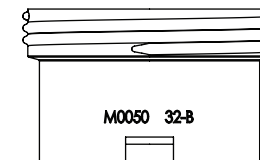
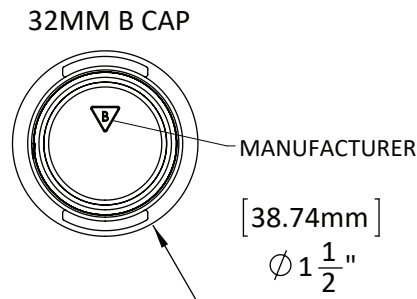
Rieke Style Caps



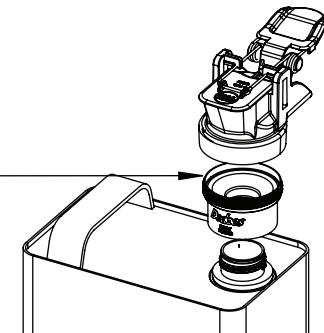
PART NO:VA001



Bericap Style Caps




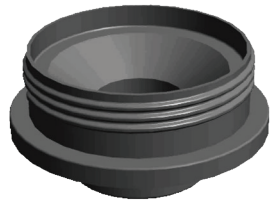
PART NO: VA002



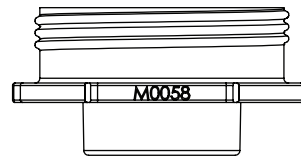


Variable Flow Spout 42mm Adapter and Beta Reference

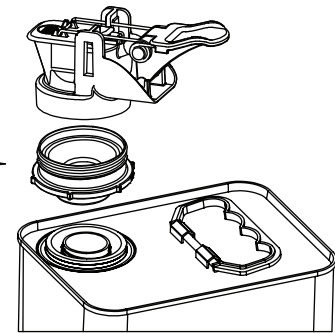
- Remove the cap from the F Style or Cone Top can you wish to use the VFS lid on.
- On the bottom interior of the cap you will see the type, size, and manufacturer.
- The  emblem refers to Rieke style caps.
- The 42mm Pull-Up adapters must be used with the built in pull up spout of the can in the down position.



VA004
42mm Pull-Up Rieke



PART NO:VA004

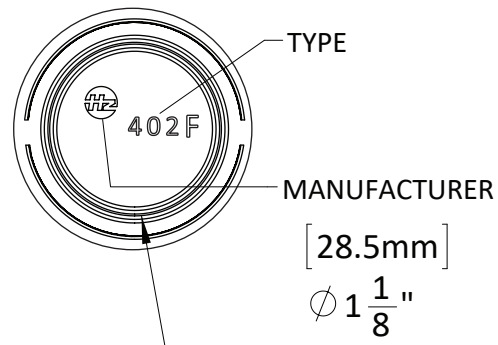


Example:



Rieke Style Caps

42MM 402F HZ CAP

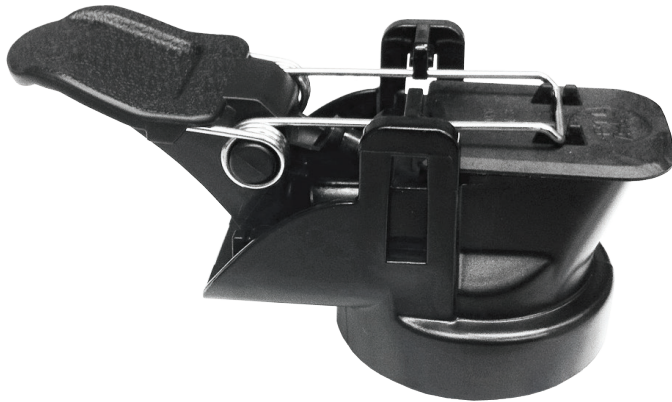




Variable Flow Spout Sample Kit

To determine which adapters you will need Dedoes created a Sample Kit that includes one main lid with one of each adapter available. If you are uncertain which lid and adapter you need this is a great solution to that problem.

PRODUCT NUMBER	DESCRIPTION	BOX QUANTITY	COMPONENT NUMBER(S)	DESCRIPTION
VL01-SAM	Main Lid with One of Each Adapter Sample Kit	1	VL01, VA001, VA002, & VA004	Sample Kit including one main lid and one of each adapter* (Priced individually, sold in eaches)



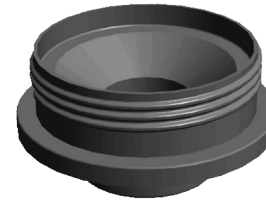
VL01
57mm Main Lid



VA001
32mm Rieke



VA002
32mm Bericap



VA004
42mm Pull-Up Rieke

*Additional adapters may be included with this kit once they become available.